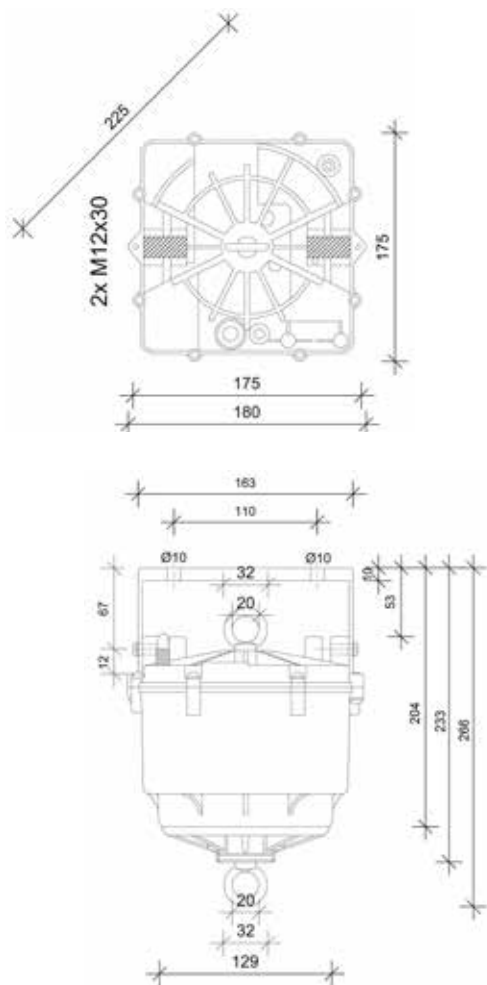


## Hook Up Type Standard

The Hook Up family is an economical solution for loads of up to 25kg, 10m in height. Dual suspension cables provide stability and avoid rotation of the luminaire where directional lighting is required.



Dimensions:  
HDI-25

Hook Up Type	HDI-25
Lifting capacity	10-25 kg
Lowering distance	10 m
Suspension cable	dual
Motor supply and lighting circuit	common
Power supply motor	230V AC/50Hz; 40W
Lighting circuit	16A, 230V AC
Auxiliary contacts / capacity	-
Protection category / class	IP 54/I
Temperature range	-15 °C to + 60 °C
Net weight / with packaging	6,8/7,4 kg